

Title	Electrical/optical dual-function redox potential transistor
Authors	Li, Shunpu;Wang, Wensi;Xu, Ju;Chu, Daping;Shen, Z. John;Roy, Saibal
Publication date	2013-12-06
Original Citation	Li, S., Wang, W., Xu, J., Chu, D., Shen, Z. J. and Roy, S. (2013) 'Electrical/optical dual-function redox potential transistor', Scientific Reports, 3, 3391 (5pp). doi:10.1038/srep03391
Type of publication	Article (peer-reviewed)
Link to publisher's version	10.1038/srep03391
Rights	© 2013, the Authors. This work is licensed under a Creative Commons Attribution-NonCommercial-NoDerivs 3.0 Unported license. To view a copy of this license, visit http://creativecommons.org/licenses/by-nc-nd/3.0 - http://creativecommons.org/licenses/by-nc-nd/3.0
Download date	2023-12-08 20:08:46
Item downloaded from	https://hdl.handle.net/10468/4913



UCC

University College Cork, Ireland
 Coláiste na hOllscoile Corcaigh

Electrical/optical dual-function redox potential transistor

Shunpu Li,^{1,2} Wensi Wang,¹ Ju Xu,¹ Daping Chu,³ Z. John Sheng,⁴ Saibal Roy¹

Fig.1 Shows a commercial ECC83 triode operating characteristics, where an anode current (I_a) variation with anode voltage (V_a) and grid voltage (V_g) is given. The characteristics are very similar to the device we demonstrated. The difference is the sequence of grid voltage applied here is opposite from the gate voltage in our device. The device we invented here does not require a hot cathode and the drive voltage is two orders of magnitude lower.

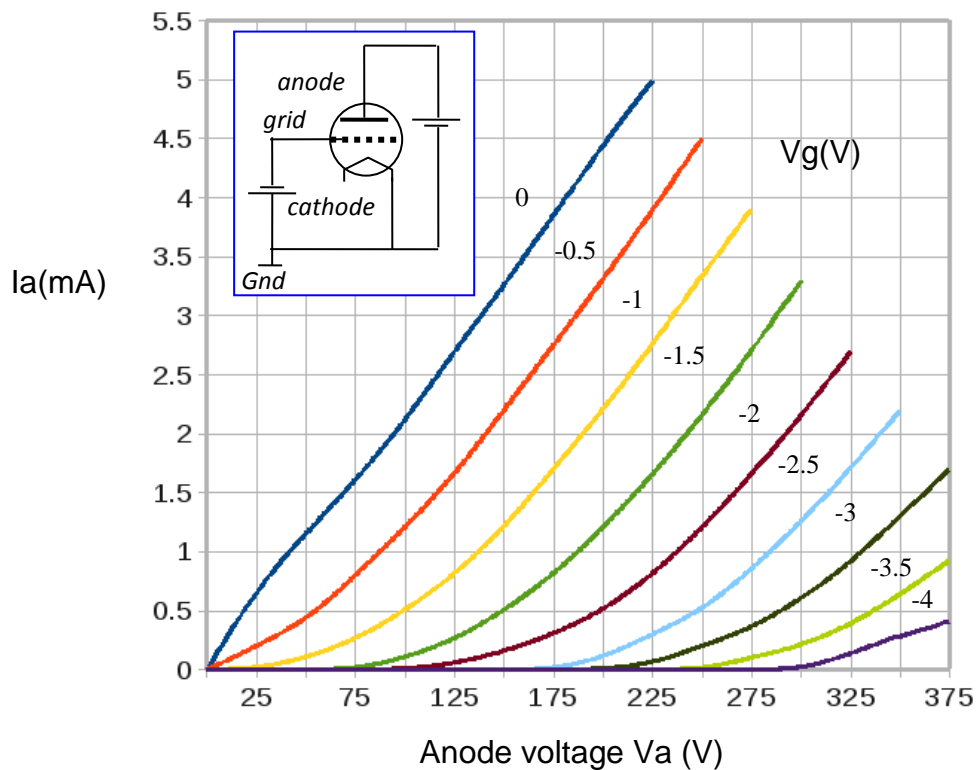


Fig.1 Operating characteristics of commercial ECC83 Triode

Fig.2 shows one of typical design of current switcher for road-light control application where photoconductor, resistors, transistors, and diode are used to sense environment light condition, to change bias voltage applied on transistor and current directions. When the environment lighting intensity is low the road light switches ON automatically.

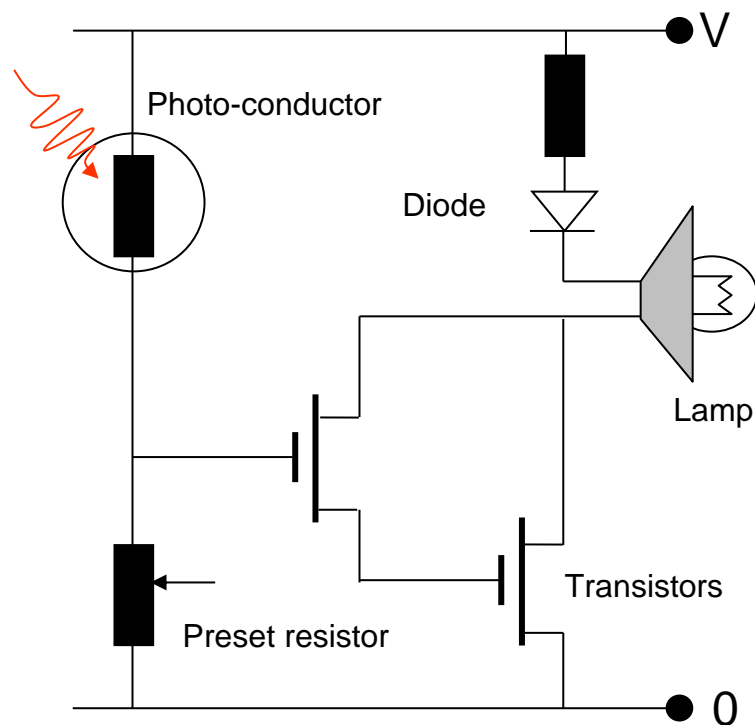


Fig.2 A typical current switcher circuit for road light control

¹Tyndall National Institute, Lee Maltings, Prospect Row, Cork, Ireland

²Department of Electronics, University of York, Heslington, York YO10 5DD, UK.

³Electrical Engineering Division, University of Cambridge, Cambridge CB3 0FA, UK

⁴Department of Electrical and Computer Engineering, Illinois Institute of Technology, Chicago, IL 60616, USA