

Title	Multimode laser beam characterization using agile digital-analog photonics
Authors	Marraccini, Philip;Riza, Nabeel A.
Publication date	2011-05-26
Original Citation	Marraccini, P. J. and Riza, N. A. (2011) 'Multimode laser beam characterization using agile digital-analog photonics', Proceedings of SPIE, 8026, Photonic Applications for Aerospace, Transportation, and Harsh Environment II, 80260E, SPIE Defense, Security, and Sensing, 2011, Orlando, Florida, United States, 26 May. doi: 10.1117/12.885958
Type of publication	Conference item
Link to publisher's version	10.1117/12.885958
Rights	© 2011 Society of Photo-Optical Instrumentation Engineers (SPIE). One print or electronic copy may be made for personal use only. Systematic reproduction and distribution, duplication of any material in this paper for a fee or for commercial purposes, or modification of the content of the paper are prohibited.
Download date	2024-10-16 03:34:46
Item downloaded from	https://hdl.handle.net/10468/10108

PROCEEDINGS OF SPIE

[SPIDigitalLibrary.org/conference-proceedings-of-spie](https://spiedigitallibrary.org/conference-proceedings-of-spie)

Multimode laser beam characterization using agile digital- analog photonics

Marraccini, Philip, Riza, Nabeel

Philip J. Marraccini, Nabeel A. Riza, "Multimode laser beam characterization using agile digital-analog photonics," Proc. SPIE 8026, Photonic Applications for Aerospace, Transportation, and Harsh Environment II, 80260E (26 May 2011); doi: 10.1117/12.885958

SPIE.

Event: SPIE Defense, Security, and Sensing, 2011, Orlando, Florida, United States

Multimode Laser Beam Characterization using Agile Digital-Analog Photonics

Philip J. Marraccini^a and Nabeel A. Riza^{*a}

^aPhotonic Information Processing Systems (PIPS) Laboratory, CREOL, The College of Optics & Photonics, University of Central Florida, 4000 Central Florida Blvd., Orlando, FL 32816-2700.

ABSTRACT

Presented is a novel design of a multimode laser beam analyzer to enable beam measurements of minimum beam waist size, minimum waist location, divergence and the beam propagation parameter called M^2 . Experimental results demonstrate these measurements for a 532 nm multimode test laser beam.

Keywords: DMD, Beam Analyzer, Multimode Beam Characterization

1. INTRODUCTION

Characterization of multi-mode laser beams is done using the M^2 beam propagation parameter [1-7]. Earlier methods require physical movement of the laser beam profiler assembly along the beam axis. This physical motion can lead to false readings due to system alignment and are prone to poor measurement reliability.

For the characterization of single mode Gaussian laser beams, recently, a beam analyzer using a Digital Micromirror Device (DMD) and an Electronically Controlled Variable Focus Lens (ECVFL) has been proposed and demonstrated [8-11]. This paper extends the earlier proposed DMD-ECVFL beam analyzer instrument for the characterization of laser beams using the M^2 beam propagation parameter.

2. PROPOSED ANALYZER

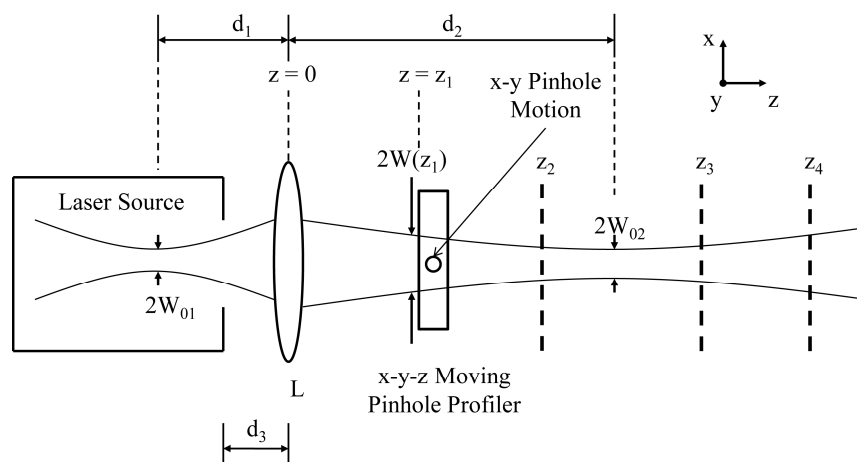


Fig. 1 The traditional moving optics beam analyzer method to determine the M^2 beam parameter.

Shown in Fig. 1 is the classic prior art method of an M^2 beam propagation parameter beam analyzer operation that requires motion of the profiler along the optical axis to take per ISO approximately ten measurements on each side of the minimum beam waist.

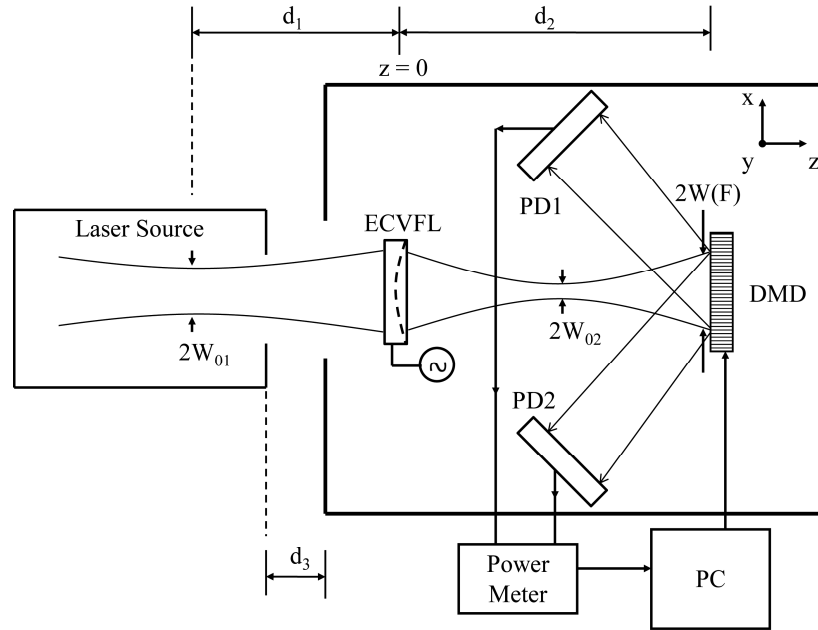


Fig. 2 The proposed multimode beam analyzer.

Fig.2 shows the proposed multimode laser beam characterization. The DMD acts as the moving pinhole image plane point sampler while the ECVFL acts as the variable focal length lens. The test beam reflections to PD1 and PD2 are based upon the digital tilt states of the DMD micromirrors. The propagation of a laser beam can be analytically described using the fundamental Gaussian beam mode and the M^2 parameter. In general, multimode beam radii at the beam waist can be written as

$$W(z) = Mw(z) \quad (1)$$

where $w(z)$ is the embedded fundamental Gaussian mode second-moment radius definition of the beam irradiance. Starting with the analysis for the fundamental Gaussian beam, the multimode beam can be described. Using software control, the DMD realized pinhole scans across the test beam at the DMD plane and the instrument calculates the beam waists $W_H(F, d_2)$ and $W_V(F, d_2)$ for the horizontal and vertical directions. This process is continued until four or more beam waist measurements for different F values have been taken to provide a good data fit. The curve fitting gives values for W_{01} , d_1 , and M^2 . Hence, using the proposed Fig.2 instrument, the multimode test beam is completely characterized.

3. EXPERIMENT

To calibrate the multimode laser beam, the Fig. 1 classic method was implemented using a high power $\lambda = 532$ nm Nd:YAG frequency doubled laser source with a lens L of focal length 15 cm, and a DMD based profiler. The required beam irradiance $I(x, y)$ measurements were taken at multiple d_2 values along the z axis. Using the DMD profiler with this measured d_2 dependent $I(x, y)$ data and using the analyzer design equations, the experimentally deduced values of $W_v(F, d_2)$ and $W_H(F, d_2)$ are computed. The parameters W_{01} , d_1 , M^2 are found to be equal to 241.47 μm , -44.39 cm, 1.337 and 302.93 μm , -48.48 cm, 2.095 for the horizontal and vertical directions, respectively.

The proposed multimode beam analyzer in Fig. 2 was setup. The ECVFL used is a Varioptic Artic France liquid lens with the F adjusted from 8 cm to 36 cm. Using the DMD profiler with this F dependent measured $I(x, y)$ data and using design equations, the experimentally deduced values of $W_v(F, d_2)$ and $W_H(F, d_2)$ are computed. Next curve fitting the data to the design equation, the parameters W_{01} , d_1 , and M^2 are found to be equal to 257.61 μm , -46.53 cm, 1.600 and 326.67 μm , -48.99 cm, 2.587 for the vertical and horizontal directions, respectively. The proposed design is compared with the traditional method in Table 1. It is seen from Table 1 that the two instrument experimental difference is within this two

micromirror tolerance for W_0 for which the difference is 16.14 μm and 23.74 μm for the vertical and horizontal directions, respectively.

Table 1. Multimode Beam Propagation Parameters via the experimentally demonstrated traditional and proposed analyzers.

	Horizontal		Vertical	
	Traditional	Proposed	Traditional	Proposed
W_0 (μm)	302.93	326.67	241.47	257.61
θ (mrad)	2.342	2.682	1.875	2.103
d_I (cm)	-48.48	-48.99	-44.39	-46.53
z_{R1} (cm)	25.87	24.36	25.76	24.50
M^2	2.095	2.587	1.337	1.600

4. CONCLUSION

A multimode beam analyzer using electrically controllable ECVFL and a programmable digital spatial light modulator has been successfully designed and demonstrated. Experiments conducted with a 532 nm laser beam show that the multimode beam parameters using the proposed analyzer closely match traditional mechanically moving scan method.

5. ACKNOWLEDGEMENTS

The authors would like to thank Nuonics, Inc. for hardware support and Dr. Mumtaz Sheikh for his technical insights and DMD software support.

REFERENCES

- [1] Kogelnik, H., and Li, T., "Laser beams and resonators," Applied Optics 5, 1550-1567 (1966).
- [2] Sasnett, M. W., "Propagation of multimode laser beams-the M2 factor," Physics and Technology of Laser Resonators, D. R. Hall and P. E. Jackson, Eds. New York, USA: Taylor & Francis Group, 1989, ch. 9, 132-142.
- [3] Siegman, A. E., "How to (maybe) measure laser beam quality," in OSA Trends in Optics and Photonics Series 17, Washington D.C., 184-199 (1998).
- [4] Bélanger, P. A., "Beam propagation and the ABCD ray matrices," Optics Letters 16 (4), 196-198 (1991).
- [5] T. F. Johnston, "Beam propagation (M2) measurements made as easy as it gets: The four cuts method," Applied Optics 37 (21), 4840-4850 (1998).
- [6] Sasnett, M. W., and Johnston Jr., T. F., "Apparatus for measuring the mode quality of laser beam," US Patent 5214485, May 25, (1993).
- [7] Siegman, A. E., and Townsend, S. W., "Output beam propagation and beam quality from a multimode stable-cavity laser," IEEE J. Quantum Electron., 29 (4), 1212-1217 (1993).
- [8] Sheikh, M., Marraccini, P. J., and Riza, N. A., "Laser beam characterization using agile digital-analog photonics," in Proc. SPIE 7675, 767508 (2010).
- [9] Sheikh, M., and Riza, N. A., "Motion-Free Hybrid Design Laser Beam Propagation Analyzer using a Digital Micro-mirror Device and a Variable Focus Liquid Lens," Applied Optics 49 (16), D6-D11 (2010).

[10] Sumriddetchkajorn, S., and Riza, N. A., "Micro-electromechanical system-based digitally controlled optical beam profiler," *Applied Optics* 41 (18), 3506-3510 (2002).

[11] Riza, N. A., Reza, S. A., and Marraccini, P. J., "Digital Micro-Mirror Device-based broadband optical image sensor for robust imaging applicaitons," *Optics Communications* 284 (1), 103-111 (2011).