

Title	Performance analysis of a novel flexible NFC Tag for IoT applications
Authors	Kumar, Sanjeev;Buckley, John;Barton, John;O'Flynn, Brendan
Publication date	2018-04
Original Citation	Kumar, S., Buckley, J., Barton, J. and O'Flynn, B. (2018) 'Performance analysis of a novel flexible NFC Tag for IoT applications', Smart Systems Integration 2018 - 12th International Conference and Exhibition on Integration Issues of Miniaturized Systems, Dresden, Germany, 11 - 12 April, Mesago Messe Frankfurt GmbH, pp. 432-435.
Type of publication	Conference item
Link to publisher's version	<a href="https://www.eurekanetwork.org/sites/default/files/SSI2018_Konferenzprogramm_WEB.pdf">https://www.eurekanetwork.org/sites/default/files/SSI2018_Konferenzprogramm_WEB.pdf</a> , <a href="http://toc.proceedings.com/40447webtoc.pdf">http://toc.proceedings.com/40447webtoc.pdf</a>
Rights	© 2018 Mesago Messe Frankfurt GmbH
Download date	2023-03-31 16:46:50
Item downloaded from	<a href="http://hdl.handle.net/10468/9639">http://hdl.handle.net/10468/9639</a>



# UCC

**University College Cork, Ireland**  
 Coláiste na hOllscoile Corcaigh

## Performance Analysis of a Novel Flexible NFC Tag for IoT Applications

\*Sanjeev Kumar, John Buckley, John Barton, Brendan O'Flynn

Tyndall National Institute, University College Cork, \*sanjeev.kumar@tyndall.ie

### Abstract

This work reports on the simulations, analysis and measurements of a passive near field communication (NFC) tag antenna, and investigates the impact of the interconnect conductivity on its performance characteristics. Recently, flexible wearable devices and sensors are in great demand in healthcare applications [1]. Flexible NFC devices can be developed by employing novel interconnect materials such as polymer-metal composites [2]. However, these materials have a comparatively lower conductivity than conventional metals such as copper and silver [3]. The effect of interconnect conductivity on the performance of an NFC tag antenna through electromagnetic simulations and experimental measurements are presented.

### Introduction

A passive NFC tag operates at 13.56 MHz, and harvests energy from the reader antenna through electromagnetic coupling [4]. In Fig.1 (a and b), a reader antenna and the equivalent circuit model for the NFC tag antenna is shown. The reader is a simple loop with capacitance  $C_R$  and inductance  $L_R$ , and is fed at Port 1. The equivalent circuit model of the inductively coupled NFC antenna can be represented by a tag inductance ( $L_T$ ), tag capacitance ( $C_T$ ) and a variable tag resistance ( $R_T$ ), as shown in Fig.1 (b) [5].

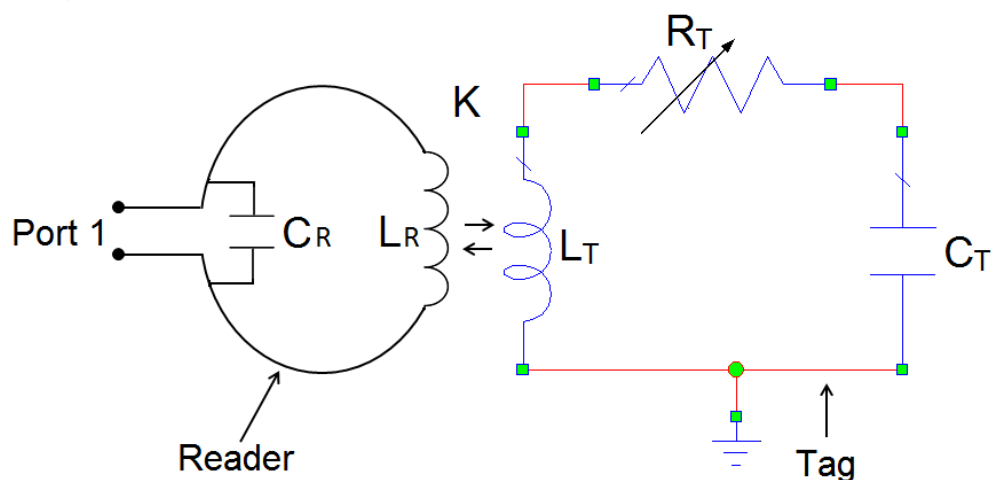


Fig. 1: (a) Reader antenna, (b) Equivalent circuit model of the NFC tag

Resistance  $R_T$  changes with variation in interconnect conductivity and is an important parameter that determines the maximum achievable read range, and the operational limit of the NFC tag antenna [6]. Coupling coefficient ( $K$ ) governs the amount of radio frequency (RF) energy transfer between the reader antenna and the tag antenna [7]. The conductivity of the interconnect limits the performance of an NFC antenna, and below a certain conductivity limit, the NFC tag stops to respond to the reader antenna.

### Antenna Design and Results

A simple bandage-like NFC tag antenna printed on low-cost FR4 substrate with dielectric constant 4.4, loss tangent 0.02, and the substrate thickness of 0.2 mm was investigated. As shown in Fig. 2, the overall dimension of the tag is  $L \times W$  mm<sup>2</sup>, where length ( $L$ ) is 70 mm and width ( $W$ ) is 20 mm. The width and thickness of the conductive trace is 0.5 mm and 0.035 mm respectively, and the gap between consecutive traces is 0.5 mm. The antenna is fed at the lumped port as shown in Fig.2.

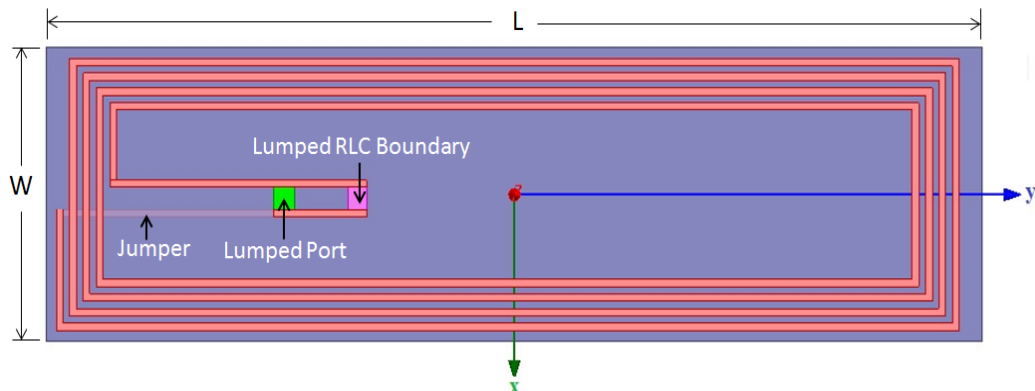


Fig. 2: Geometry of the bandage-like NFC tag antenna

The NFC tag antenna was simulated using Ansys HFSS full-wave commercial electromagnetic simulator [8]. To achieve the resonance at 13.56 MHz, a lumped RLC boundary condition was defined as, shown in Fig. 2. For a 4-turn NFC tag, the values of  $R$ ,  $L$  and tuned  $C$  at 13.56 MHz were obtained as  $50 \Omega$ ,  $1.36 \mu\text{H}$  and  $215 \text{ pF}$ , respectively. For a comparative analysis, the tag antenna was simulated for two types of interconnects; copper and graphitic carbon. The sheet resistance of copper is  $0.5 \text{ m}\Omega/\square$  and that of the graphitic carbon is  $50 \Omega/\square$  i.e. compared to copper, graphitic carbon is highly resistive in nature. The resistance corresponding to a 4-turn NFC tag was  $0.65 \Omega$  for copper and  $48.6 \text{ K}\Omega$  graphitic carbon. The simulated antenna reflection coefficient ( $S_{11}$ ) in the range of 6 - 20 MHz is shown in Fig.3. It can be seen that for copper ( $\sigma_{\text{Cu}} = 5.97 \times 10^7 \text{ S/m}$ ), the antenna is resonant at 13.56 MHz with a good impedance matching.

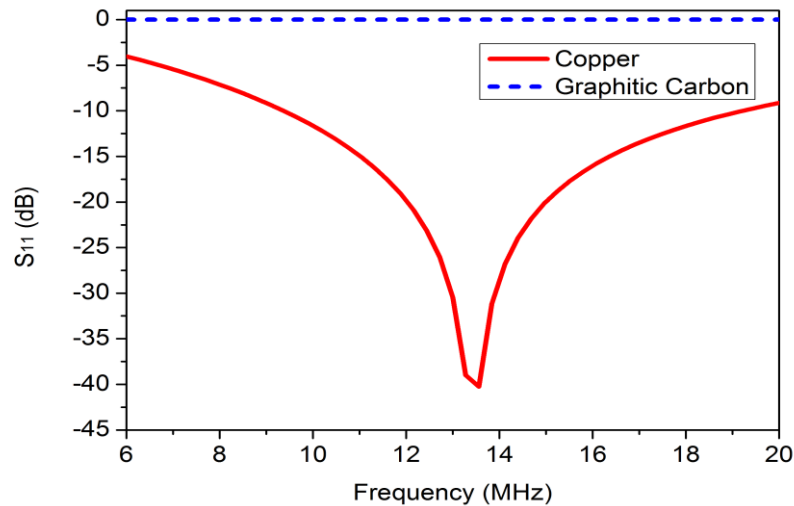


Fig. 3: Simulated return loss for copper and graphitic carbon interconnects

On the other hand, for graphitic carbon material ( $\sigma_{gc} = 800 \text{ S/m}$ ), the antenna is neither matched nor resonant at 13.56 MHz, owing to the large resistivity of the graphitic carbon interconnect material.

Further, to validate the dependence of NFC read range on the value of the tag resistance, an experiment was performed. In the experiment, the resistance of an NFC card, as shown in Fig. 4 (a) was varied in the range of  $0 \Omega$  to  $800 \Omega$ . The obtained read range is illustrated in Fig. 4 (b). For a small value of the tag resistance ( $\sim 0 \Omega$ ), the read range is maximum, which is close to 4.5 cm. The read range decreases continuously with increase in the tag resistance, and for  $R_T$  equals to  $732 \Omega$ , the read range approaches 0 cm. i.e. NFC tag stops responding to the reader antenna. As the resistance for a 4-turn graphitic carbon tag is  $48.6 \text{ K}\Omega$  (much higher than  $732 \Omega$ ), the tag made of graphitic carbon is not suitable for the design of NFC antennas.

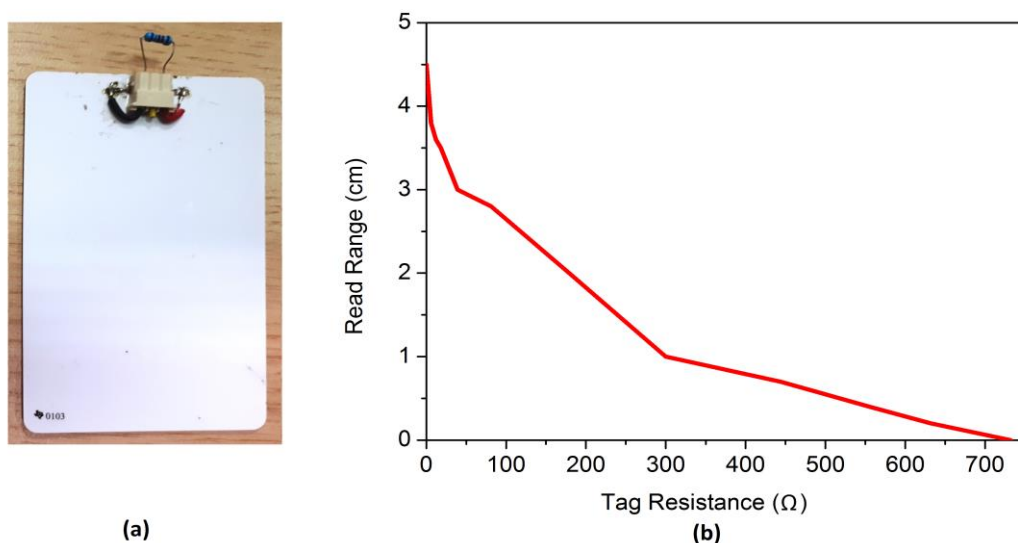


Fig. 4: (a) NFC card for experiment (b) Read range versus tag resistance plot

## Conclusion

The effect of interconnect conductivity on the performance characteristics of an NFC tag antenna is presented. Tag antenna performance was analysed for copper and graphitic carbon. Simulation and experimental results show that the tag resistance is an important parameter which determines the read range and optimal performance of the NFC system. It was concluded that the graphitic carbon is highly resistive and is not suitable for antenna applications.

## Acknowledgment

This publication has emanated from research conducted with the financial support of Science Foundation Ireland (SFI) and is co-funded under the European Regional Development Fund under Grant Number 13/RC/2077.

## References:

- [1] C. Pang, C. Lee, and K.-Y. Suh, "Recent advances in flexible sensors for wearable and implantable devices," *Journal of Applied Polymer Science*, vol. 130, no. 3, pp. 1429-1441, 2013.
- [2] B. Lee, B. Kim, F. J. Harackiewicz, B. Mun, and H. Lee, "NFC Antenna Design for Low-Permeability Ferromagnetic Material," *IEEE Antennas and Wireless Propagation Letters*, vol. 13, pp. 59-62, 2014.
- [3] J. Kawakita and T. Chikyow, "Conductive polymer/metal composite for flexible interconnect," in *2016 International Conference on IC Design and Technology (ICICDT)*, 2016, pp. 1-4.
- [4] M. A. Carvajal *et al.*, "A compact dosimetric system for MOSFETs based on passive NFC tag and smartphone," *Sensors and Actuators A: Physical*, vol. 267, pp. 82-89, 2017/11/01/ 2017.
- [5] R. C. Webb *et al.*, "Ultrathin conformal devices for precise and continuous thermal characterization of human skin," *Nat Mater*, Article vol. 12, no. 10, pp. 938-944, 10//print 2013.
- [6] K. Finkenzeller, "Fundamentals and Applications in Contactless Smart Cards, Radio Frequency Identification and near-Field Communication," vol. Third Edition, 2010.
- [7] U. Azad, H. C. Jing, and Y. E. Wang, "Link Budget and Capacity Performance of Inductively Coupled Resonant Loops," *IEEE Transactions on Antennas and Propagation*, vol. 60, no. 5, pp. 2453-2461, 2012.
- [8] ANSYS, "HFSS, Available online: <http://www.ansys.com/products/electronics/ansys-hfss>," Accessed in February 2018.